


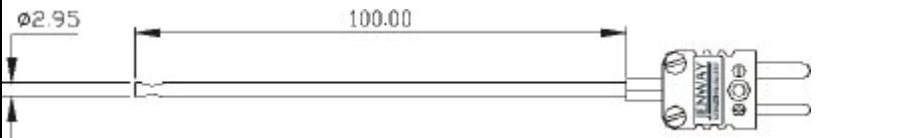

Economical Type K Hand-held Thermocouple Thermometer

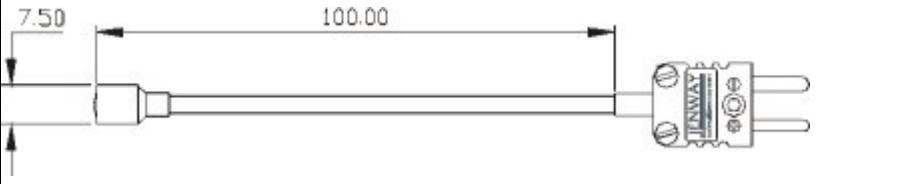
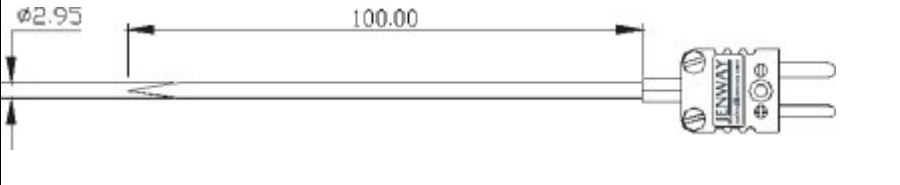
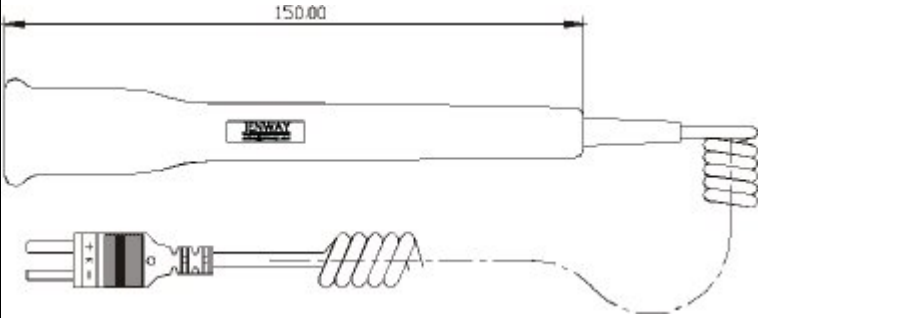
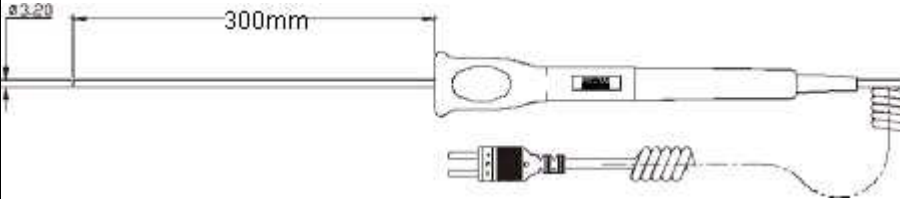
An inexpensive Type K thermometer for making temperature measurements when high accuracy is not required. Each unit includes a type K bead probe for general purpose measurements.

See our assortment of probes below for other applications.

<ul style="list-style-type: none"> • Single input • Type-K thermocouples • -200 to +1,370°C measurement range • 0.1°C/0.1°F resolution • Autoranging • 60 VDC/24 VACrms input protection • Auto power off • REL/HOLD/MAX/MIN functions • Includes Type K bead thermocouple • Email us for tech support & questions • Accuracy at 23°C ±5°C <table border="1" data-bbox="344 856 857 1075"> <thead> <tr> <th>Range</th> <th>Accuracy</th> </tr> </thead> <tbody> <tr> <td>-200 to 200°C (-328 to 392°F)</td> <td>±(0.3% reading + 1°C)+2°F</td> </tr> <tr> <td>200 to 400°C (392 to 752°F)</td> <td>±(0.5% reading + 1°C)+2°F</td> </tr> <tr> <td>400 to 1370°C (752 to 2498°F)</td> <td>±(0.3% reading + 1°C)+2°F</td> </tr> </tbody> </table> <p data-bbox="243 1117 857 1205">For ambient temperature outside of the above range add the following tolerance into the accuracy spec 0.01% of reading +0.03°C</p>	Range	Accuracy	-200 to 200°C (-328 to 392°F)	±(0.3% reading + 1°C)+2°F	200 to 400°C (392 to 752°F)	±(0.5% reading + 1°C)+2°F	400 to 1370°C (752 to 2498°F)	±(0.3% reading + 1°C)+2°F	 <p data-bbox="987 1008 1242 1081">Catalog #: 7002837 Store Price \$83.00</p>
Range	Accuracy								
-200 to 200°C (-328 to 392°F)	±(0.3% reading + 1°C)+2°F								
200 to 400°C (392 to 752°F)	±(0.5% reading + 1°C)+2°F								
400 to 1370°C (752 to 2498°F)	±(0.3% reading + 1°C)+2°F								

Optional probe and accessories available

<p>Type K Air & gas probe</p>		<p>Catalog #: 027-700 Store Price \$22.00</p>
<p>Type K General Purpose Probe</p>		<p>Catalog #: 027-701 Store Price \$22.00</p>

<p>Type K Surface Probe</p>		<p>Catalog #: 027-702 Store Price\$22.00</p>
<p>Type K Needle insertion probe</p>		<p>Catalog #: 027-703 Store Price\$22.00</p>
<p>Probe handle for use with: 027-700 027-701 027-702 027-703</p>		<p>Catalog #: 027-719 Store Price\$17.00</p>
<p>Type K general purpose probe</p>		<p>Catalog #: 027-715 Store Price\$32.00</p>